



INTELLIGENT
INDUCTION



HIGH-SPEED
INJECTION



HIGH EFFICIENCY
FILTER



SMART
HAND DRYER

SUPER WIND SPEED DRY YOUR HANDS FAST

ZN-M2



ZN-M1



Have extraordinary
originality



GLAZING
SHIMMER



CLOISONNE



GOLD COLOR



STARSHINE
BLACK



CHARMED
SILVER



BRILLIANT
RED



PORCELAIN
WHITE



SMART HAND DRYER

Model: ZN-M2

Material: ABS granulation/ABS flame retardant/
nylon+fiberglass/PC Mitsubishi

Configuration: 330V/DC hall brushless motor Or brush high speed motor

Power: 1200W

Wind speed: 130m/s for brushless motor, 120m/s for brush high speed motor

Noise: >62dB(A)

Warm air: Automatic heating below than 25°C/switch heating

Double filter: HEPA+200 mesh filter

Product size: 187x293x128mm

Package size: 350x220x170mm

G. W.: 2.3kg/2.8kg

Certification: CE RoHS



GLAZING
SHIMMER

SMART HAND DRYER

Model: ZN-M2

Material: ABS granulation/ABS flame retardant/
nylon+fiberglass/PC Mitsubishi

Configuration: 330V/DC hall brushless motor Or brush high speed motor

Power: 1200W

Wind speed: 130m/s for brushless motor, 120m/s for brush high speed motor

Noise: >62dB(A)

Warm air: Automatic heating below than 25°C/switch heating

Double filter: HEPA+200 mesh filter

Product size: 187x293x128mm

Package size: 350x220x170mm

G. W.: 2.3kg/2.8kg

Certification: CE RoHS



CLOISONNE

Material: ABS granulation/ABS flame retardant/
nylon+fiberglass/PC Mitsubishi

Configuration: 330V/DC hall brushless motor Or brush high speed motor

Power: 1200W

Wind speed: 130m/s for brushless motor, 120m/s for brush high speed motor

Noise: >62dB(A)

Warm air: Automatic heating below than 25°C/switch heating

Double filter: HEPA+200 mesh filter

Product size: 187x293x128mm

Package size: 350x220x170mm

G. W.: 2.3kg/2.8kg

Certification: CE RoHS



GOLD COLOR

SMART HAND DRYER

Model: ZN-M2

SMART HAND DRYER

Model: ZN-M2

STARSHINE
BLACK



Material: ABS granulation/ABS flame retardant/
nylon+fiberglass/PC Mitsubishi

Configuration: 330V/DC hall brushless motor Or brush high speed motor

Power: 1200W

Wind speed: 130m/s for brushless motor, 120m/s for brush high speed motor

Noise: >62dB(A)

Warm air: Automatic heating below than 25°C/switch heating

Double filter: HEPA+200 mesh filter

Product size: 187x293x128mm

Package size: 350x220x170mm

G. W.: 2.3kg/2.8kg

Certification: CE RoHS

SMART HAND DRYER

Model: ZN-M2

CHARMED
SILVER



Material: ABS granulation/ABS flame retardant/
nylon+fiberglass/PC Mitsubishi

Configuration: 330V/DC hall brushless motor Or brush high speed motor

Power: 1200W

Wind speed: 130m/s for brushless motor, 120m/s for brush high speed motor

Noise: >62dB(A)

Warm air: Automatic heating below than 25°C/switch heating

Double filter: HEPA+200 mesh filter

Product size: 187x293x128mm

Package size: 350x220x170mm

G. W.: 2.3kg/2.8kg

Certification: CE RoHS

SMART HAND DRYER

Model: ZN-M2

BRILLIANT
RED



Material: ABS granulation/ABS flame retardant/
nylon+fiberglass/PC Mitsubishi

Configuration: 330V/DC hall brushless motor Or brush high speed motor

Power: 1200W

Wind speed: 130m/s for brushless motor, 120m/s for brush high speed motor

Noise: >62dB(A)

Warm air: Automatic heating below than 25°C/switch heating

Double filter: HEPA+200 mesh filter

Product size: 187x293x128mm

Package size: 350x220x170mm

G. W.: 2.3kg/2.8kg

Certification: CE RoHS

Material: ABS granulation/ABS flame retardant/
nylon+fiberglass/PC Mitsubishi

Configuration: 330V/DC hall brushless motor Or brush high speed motor

Power: 1200W

Wind speed: 130m/s for brushless motor, 120m/s for brush high speed motor

Noise: >62dB(A)

Warm air: Automatic heating below than 25°C/switch heating

Double filter: HEPA+200 mesh filter

Product size: 187x293x128mm

Package size: 350x220x170mm

G. W.: 2.3kg/2.8kg

Certification: CE RoHS



PORCELAIN
WHITE

SMART HAND DRYER

Model: ZN-M2

SIZE

Front

187mm

293mm



Side



128mm



SMART HAND DRYER

Model: ZN-M1

Material: ABS granulation/ABS flame retardant/
nylon+fiberglass/PC Mitsubishi

Configuration: 330V/DC hall brushless motor Or brush high speed motor

Power: 1200W

Wind speed: 130m/s for brushless motor, 120m/s for brush high speed motor

Noise: >62dB(A)

Warm air: Automatic heating below than 25°C/switch heating

Double filter: HEPA+200 mesh filter

Product size: 187x293x128mm

Package size: 350x220x170mm

G. W.: 2.3kg/2.8kg

Certification: CE RoHS



GLAZING
SHIMMER

SMART HAND DRYER

Model: ZN-M1

Material: ABS granulation/ABS flame retardant/
nylon+fiberglass/PC Mitsubishi

Configuration: 330V/DC hall brushless motor Or brush high speed motor

Power: 1200W

Wind speed: 130m/s for brushless motor, 120m/s for brush high speed motor

Noise: >62dB(A)

Warm air: Automatic heating below than 25°C/switch heating

Double filter: HEPA+200 mesh filter

Product size: 187x293x128mm

Package size: 350x220x170mm

G. W.: 2.3kg/2.8kg

Certification: CE RoHS



CLOISSONNE

Material: ABS granulation/ABS flame retardant/
nylon+fiberglass/PC Mitsubishi

Configuration: 330V/DC hall brushless motor Or brush high speed motor

Power: 1200W

Wind speed: 130m/s for brushless motor, 120m/s for brush high speed motor

Noise: >62dB(A)

Warm air: Automatic heating below than 25°C/switch heating

Double filter: HEPA+200 mesh filter

Product size: 187x293x128mm

Package size: 350x220x170mm

G. W.: 2.3kg/2.8kg

Certification: CE RoHS



GOLD COLOR

SMART HAND DRYER

Model: ZN-M1

SMART HAND DRYER

Model: ZN-M1

STARSHINE
BLACK



Material: ABS granulation/ABS flame retardant/
nylon+fiberglass/PC Mitsubishi

Configuration: 330V/DC hall brushless motor Or brush high speed motor

Power: 1200W

Wind speed: 130m/s for brushless motor, 120m/s for brush high speed motor

Noise: >62dB(A)

Warm air: Automatic heating below than 25°C/switch heating

Double filter: HEPA+200 mesh filter

Product size: 187x293x128mm

Package size: 350x220x170mm

G. W.: 2.3kg/2.8kg

Certification: CE RoHS

SMART HAND DRYER

Model: ZN-M1

CHARMED
SILVER



Material: ABS granulation/ABS flame retardant/
nylon+fiberglass/PC Mitsubishi

Configuration: 330V/DC hall brushless motor Or brush high speed motor

Power: 1200W

Wind speed: 130m/s for brushless motor, 120m/s for brush high speed motor

Noise: >62dB(A)

Warm air: Automatic heating below than 25°C/switch heating

Double filter: HEPA+200 mesh filter

Product size: 187x293x128mm

Package size: 350x220x170mm

G. W.: 2.3kg/2.8kg

Certification: CE RoHS

SMART HAND DRYER

Model: ZN-M1

BRILLIANT
RED



Material: ABS granulation/ABS flame retardant/
nylon+fiberglass/PC Mitsubishi

Configuration: 330V/DC hall brushless motor Or brush high speed motor

Power: 1200W

Wind speed: 130m/s for brushless motor, 120m/s for brush high speed motor

Noise: >62dB(A)

Warm air: Automatic heating below than 25°C/switch heating

Double filter: HEPA+200 mesh filter

Product size: 187x293x128mm

Package size: 350x220x170mm

G. W: 2.3kg/2.8kg

Certification: CE RoHS

Material: ABS granulation/ABS flame retardant/
nylon+fiberglass/PC Mitsubishi

Configuration: 330V/DC hall brushless motor Or brush high speed motor
Power: 1200W

Wind speed: 130m/s for brushless motor, 120m/s for brush high speed motor
Noise: >62dB(A)

Warm air: Automatic heating below than 25°C/switch heating

Double filter: HEPA+200 mesh filter

Product size: 187x293x128mm

Package size: 350x220x170mm

G. W.: 2.3kg/2.8kg

Certification: CE RoHS

PORCELAIN
WHITE



SMART HAND DRYER

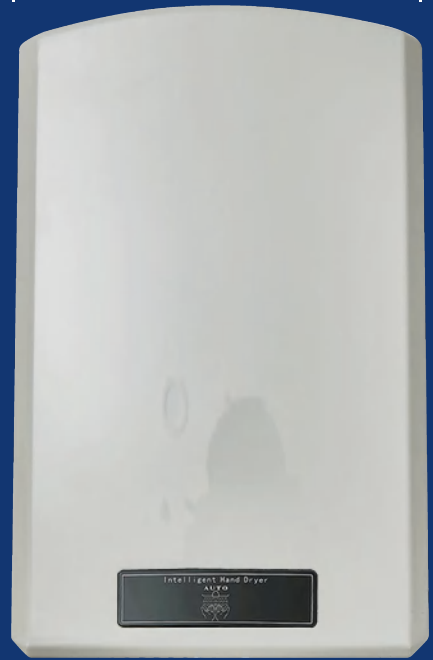
Model: ZN-M1



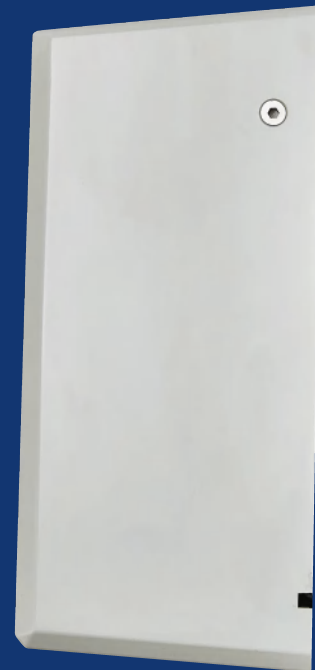
Front

187mm

293mm



Side



128mm



Protecting Health and Creating Excellence



Intelligent High Speed Hand Dryer

Instruction manual

Dear Custome :

Thank you for purchasing our products. Please read this instruction manual before installation and keep it in a safe place for further reference for subsequent installation and use or other operational convenience.

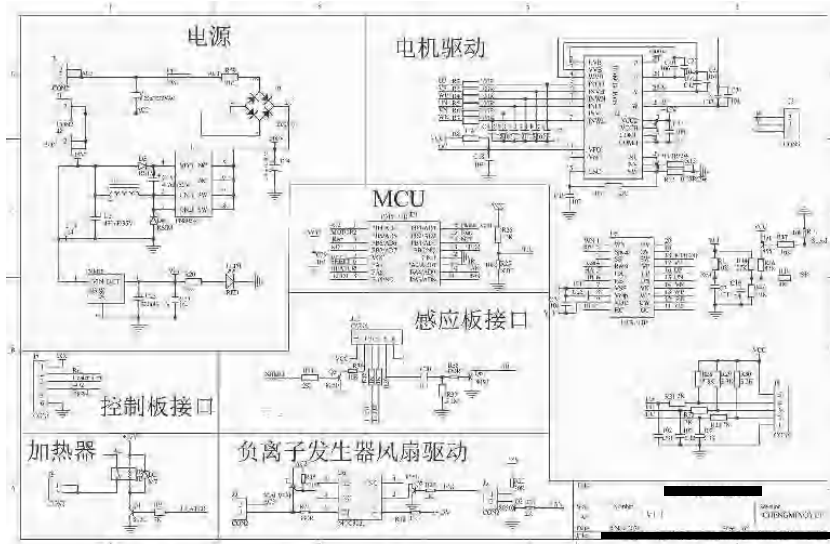
Product Features:

- 1、 When this machine is energized, it automatically enters the standby state of hand drying work.
- 2, the machine is built-in: high-speed motor / brushless motor, can dry your hands in 7-10 seconds.
- 3、 This product is equipped with self-adhesive wall mounting template, easy to install perforation.
- 4、 This product is suitable for hospitals, schools, food factories, pharmaceutical factories, cosmetic factories, airports, office buildings, hotels, government agencies and scientific research institutions and other places to use.
- 5, with Xili products have logistics protection, overheating protection undervoltage protection, effectively eliminate accidents.

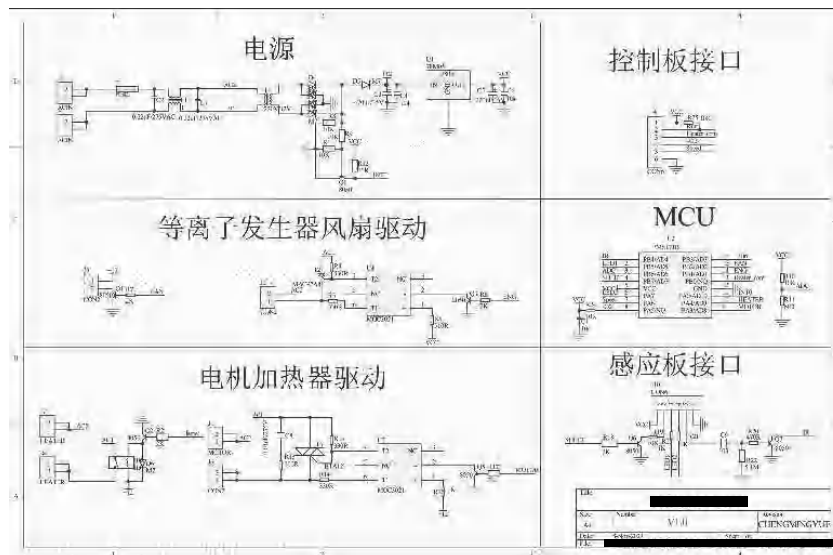
Technical Parameters:

| | | | |
|------------------------------|-------------------------------------|------------------------------|---------------------------------|
| Rated voltage | AC220-240V <input type="checkbox"/> | Waterproof rating | IPX1 |
| | AC110-120V <input type="checkbox"/> | | |
| Rated frequency | 50/60HZ | High-speed motor wind speed | 120m/s <input type="checkbox"/> |
| High-speed motor rated power | 400W-1200W <input type="checkbox"/> | Brushless motor wind speed | 130m/s <input type="checkbox"/> |
| Brushless motor rated power | 400W-1200W <input type="checkbox"/> | 25°C Automatic heating power | 800W |
| Air outlet temperature | 45°C | Drying time | 7-10s |
| Mounting position | Wall Mount | Overall size | 187x293x128mm |

Brushless motor electrical schematic:



High Speed Motor Schematic:



Precautions before installation:

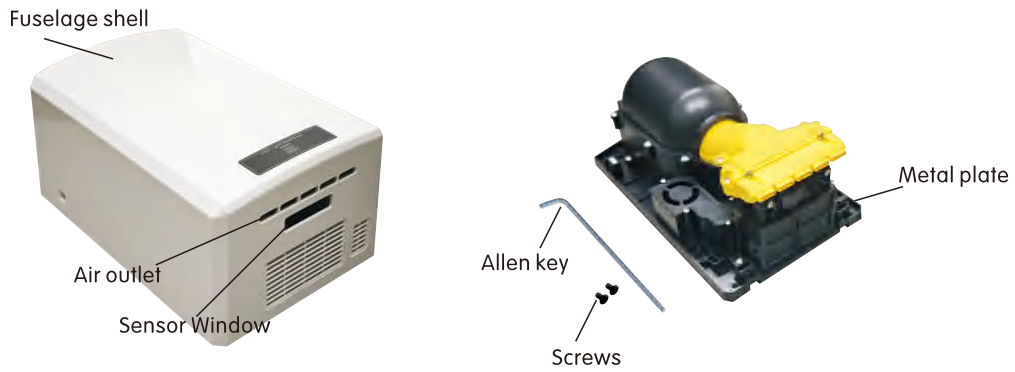
warning

- 1, Do not install the product in the place where there is water or vapor on the surface, and do not install it in the bathroom with heavy moisture to avoid electric shock;
- 2, Must entrust a professional electrician to install the power cord, otherwise there is a risk of electric shock;
- 3, The power supply must be cut off before operation to ensure that the product is in a state of power failure;
- 4, Require the installation of leakage circuit breaker or fire prevention device;
- 5, No unauthorized disassembly, repair or alteration of this product, otherwise there is a risk of electric shock, fire and other accidents.

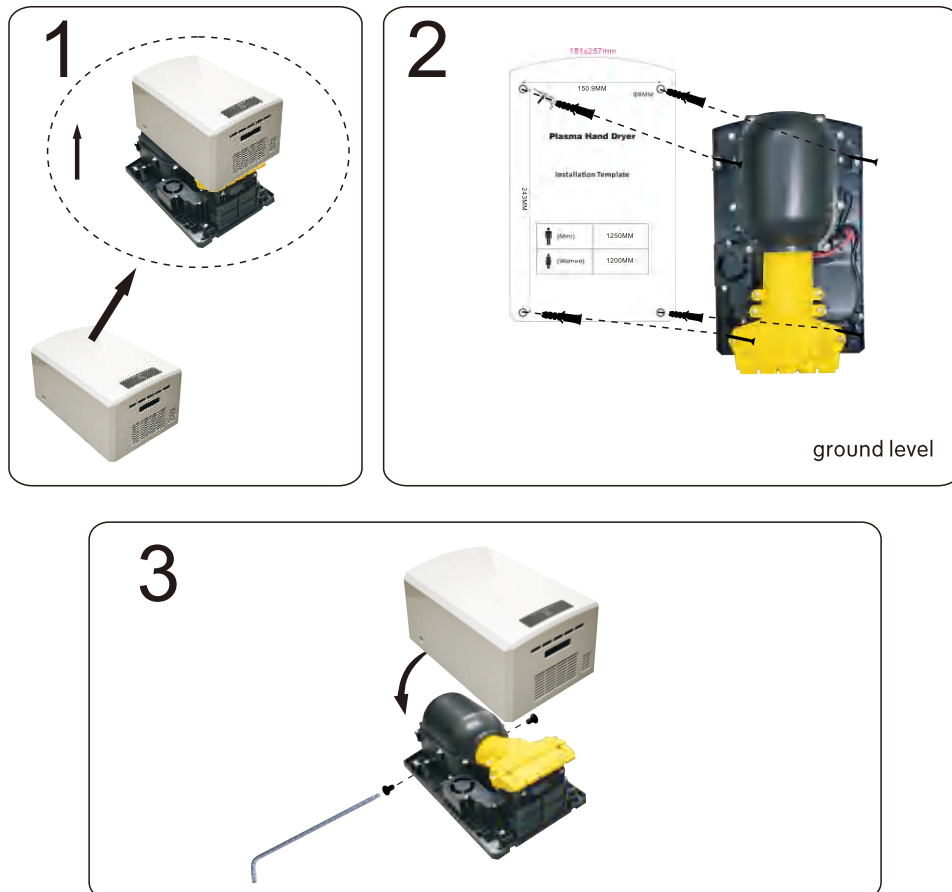
Take Note Of

1. Ensure that there is no other debris at 400mm around the air outlet. At the same time, do not install it in the stainless steel or artificial marble and other objects with shiny surfaces above the position, otherwise it is easy to be operated incorrectly.
- 2, the body should be firmly fixed on the wall to avoid the product falling or product damage and cause personnel injury.
- 3, Do not install the product in the place where there are corrosive and flammable gas objects, otherwise it may lead to fire or product failure.
- 4, Do not install the product in dusty or high-temperature environments, or it may lead to product damage.

Component name:



Installation:



Replacement of filters :



NOTE: If the air speed of the machine decreases, please clean the filter, wash the 200 mesh filter with water and use a blow gun to get rid of the dust stuck on the HEPA. We recommend cleaning the filter every three months and replacing it with a new HEPA high efficiency filter every six months.

Replacement Filter Procedure :

- 1 Unplug the power supply as shown, then open the housing.



- 2 Open the filter cover and remove the filter.



- 3 Replace the filter with a new one.

- 4 After installing the filter, attach the filter cover.



Product Maintenance :

- 1, Please cut off the power supply before cleaning the shell, and clean it with natural detergent. Prohibit the use of acidic and alkaline detergents as well as benzene, paint thinner, preservatives, etc. In addition, do not use nylon brushes and other rough tools to clean, so as not to scratch the shell;
- 2, Prevent water droplets from entering the machine when cleaning the shell, so as to avoid electric shock or product short-circuit accident;
- 3, It is better to cut off the power supply at the end of work to prolong the service life of the product;
- 4, If the power cord is damaged, it should be replaced with a special power cord, if there is no professional power cord can be purchased from the factory components or find professionals
- 5, If the machine is malfunctioning, the power should be cut off quickly and stop working. If the machine is damaged, please commission a professional to repair it;
- 6, If the machine is not used for a long time, please cut off the power supply, clean it and store it in a clean and dry room and keep it sealed.

Warranty terms :

- 1, Product warranty period: one year for high-speed motors and three years for brushless motors.
- 2, The service within the product warranty period is effective from the date of purchase.
- 3, Within one year after purchase, if consumers find that the machine failure is caused by the product itself, they can go to the place of purchase for free repair and replacement of the machine with the original invoice and the filled-in, dealer-stamped warranty card.
- 4, The following are not within the scope of free maintenance:
 - ◆ Without my company's authorization, technicians disassembled, modified, modified caused by improper use and failure.
 - ◆ Failure caused by fire, earthquake, lightning and other natural disasters, failure caused by abnormal voltage.
 - ◆ Failure caused by power mismatch.
 - ◆ Failure caused by long time operation under bad working conditions.
 - ◆ There is no quality assurance card or the card is not filled out correctly.
- 5, more than the warranty period or not free maintenance products, our company is still dedicated to give service.

Package size: 350 × 220 × 170mm

Packing quantity: Pack of 1

G. W: 2.3kg/2.8kg



Package size: 457 × 362 × 350mm

Packing quantity: Pack of 4

G. W: 9.2kg/12kg



Wenzhou Lingqu Electronic Technology Co., Ltd

No. 355, Binhai 12th Branch Road, Longwan District, Wenzhou City, Zhejiang Province 6th Floor, Digital Building, Building 1, China Electronics (Wenzhou) Information Harbor

www.lqzkjs.com LQZKJS@163.com

Sales Hotline: 18968480881 13958801767



Scan and add WeChat